

SS 系列
SERIES

85°C 小型化标准品

85°C MINIATURE SIZE

寿命: 85°C 1000 小时

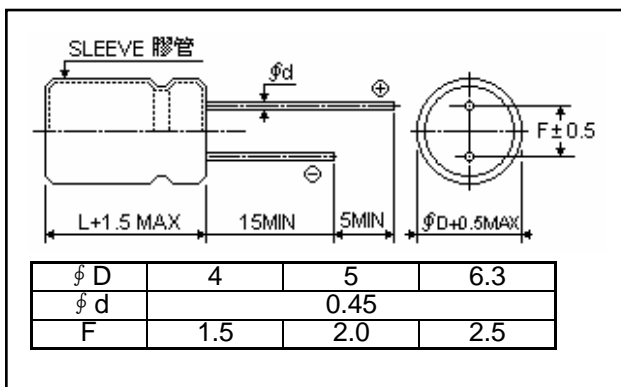
Load Life :85°C 1000 hours

■ 规格表 SPECIFICATIONS

项目 Items	特性 Characteristics								
使用温度范围 Category Temperature Range	-40~+85°C								
额定电压范围 Rated Voltage Range	6.3~63V.DC								
静电容量容许差 Capacitance Tolerance	±20%(M)(25°C, 120Hz)								
泄漏电流 Leakage Current (MAX)	I ≤ 0.01CV 或 3 μA (值小于 3 μA 时使用) (施加额定电压 2 分钟后)				I ≤ 0.01CV 或 3 μA whichever is greater (After 2 minutes application of rated voltage)				
	I: 泄漏电流 Leakage Current(μA) C: 额定静电容量 Rated Capacitance(μF) V: 额定电压 Rated Voltage(V)								
散逸因素(tan δ) Dissipation Factor (MAX)	额定电压(V) Rated Voltage	6.3	10	16	25	35	50	63	120Hz 25°C
	tan δ	0.24	0.20	0.17	0.15	0.12	0.12	0.10	
高温负荷 Load Life	85°C 恒温施加额定电压(含纹波电流)1000 小时后, 必须满足下列的值。 After applying rated voltage with rated ripple current for 1000hrs at 85°C, the capacitors shall meet the following requirements								
	静电容量变化率 Capacitance Change	初期值 ±20% 以内 Within ±20% of the initial value							
	散逸因素(tan δ) Dissipation Factor	规格值 200% 以下 Not more than 200% of the specified value							
	泄漏电流 Leakage Current	规格值以下 Not more than the specified value							
高温放置 Shelf Life	85°C 恒温不施加额定电压 500 小时后, 在试验前必须参照 JIS C5102 4.4 规定进行充电 60 秒之后, 必须满足下列的值。 After applying no rated voltage for 500hrs at 105°C, pre-treatment for measurements shall be conducted after application of DC rated voltage for 60 second. The capacitors shall meet the following requirements. (Reference Standard JIS C5102 4.4)								
	静电容量变化率 Capacitance Change	初期值 ±20% 以内 Within ±20% of the initial value							
	散逸因素(tan δ) Dissipation Factor	规格值 200% 以下 Not more than 200% of the specified value							
	泄漏电流 Leakage Current	规格值 200% 以下 Not more than 200% of the specified value							
突波电压(V) Surge Voltage	额定电压(V) Rated Voltage	6.3	10	16	25	35	50	63	
	突波电压(V) Surge Voltage	8	13	20	32	44	63	79	
低温特性 Low Temperature Stability (合成阻抗比) Impedance Ratio (MAX)	额定电压(V) Rated Voltage	6.3	10	16	25	35	50	63	120Hz
	Z(-25°C) / Z(25°C)	4	3	2	2	2	2	2	
	Z(-40°C) / Z(25°C)	10	8	6	4	3	3	3	
Reference Standard	JIS C5141								

■ 尺寸图 DIMENSIONS

(mm)



■ 纹波电流补偿系数 MULTIPLIER FOR RIPPLE CURRENT

(1) 频率系数 Frequency coefficient

频率(Hz) Frequency		60(50)	120	1k	≥ 10k
系数 Coefficient	0.1~47 μF	0.75	1.00	1.30	1.50
	100 μF	0.75	1.00	1.15	1.20

■ 尺寸一览表, 额定纹波电流一览表 STANDARD SIZE, RATED RIPPLE CURRENT

Size ϕ D×L(mm), Ripple Current (mA r.m.s./85°C, 120 Hz)

额定电压 WV(V.DC) 静电容量 Cap(μF)	6.3 (0J)		10 (1A)		16 (1C)		25 (1E)		35 (1V)		50 (1H)		63 (1J)	
	Size	Ripple	Size	Ripple	Size	Ripple	Size	Ripple	Size	Ripple	Size	Ripple	Size	Ripple
0.1											4×7	3	4×7	3
0.22											4×7	5	4×7	4
0.33											4×7	6	4×7	6
0.47											4×7	7	4×7	7
1											4×7	11	4×7	11
2.2											4×7	16	4×7	16
3.3											4×7	20	5×7	22
4.7											4×7	27	6.3×7	31
10					4×7	26	4×7	28	5×7	36	6.3×7	45		
22	4×7	33	4×7	36	4×7	39	5×7	47	6.3×7	60				
33	4×7	40	4×7	44	5×7	55	6.3×7	65						
47	5×7	55	5×7	60	6.3×7	75								
100	6.3×7	90	6.3×7	100	6.3×7	110								

■ 耐久性 ENDURANCE

□ 1 μF-50V 4×7 ▲ 47 μF-16V 5×7

