

LA 系列
SERIES

85°C 标准品

寿命: 85°C 2000 小时

85°C GENERAL PURPOSE

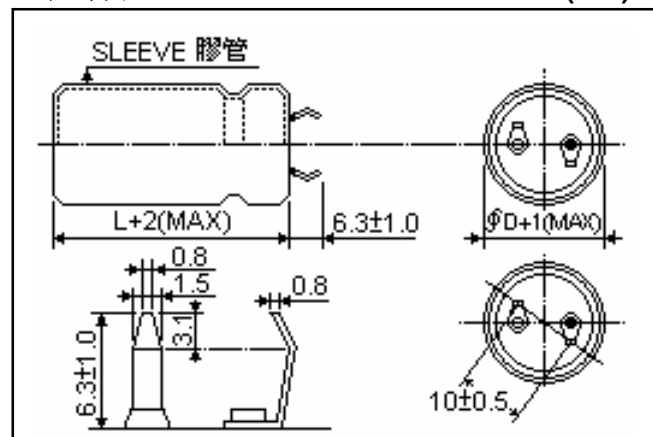
Load Life :85°C 2000 hours

■ **规格表 SPECIFICATIONS**

项目 Items	特性 Characteristics																
使用温度范围 Category Temperature Range	-40~+85°C							-25~+85°C									
额定电压范围 Rated Voltage Range	10~100V.DC							160~450V.DC									
静电容量容许差 Capacitance Tolerance	±20%(M)(25°C, 120Hz)																
泄漏电流 Leakage Current (MAX)	I ≤ 0.03CV (施加额定电压 5 分钟后) (After 5 minutes application of rated voltage)																
	I: 泄漏电流 Leakage Current(μ A) C: 额定静电容量 Rated Capacitance(μ F) V: 额定电压 Rated Voltage(V)																
散逸因素(tan δ) Dissipation Factor (MAX)	额定电压(V) Rated Voltage	10	16	25	35	50	63	80	100	160~250	315~450	120Hz 25°C					
	tan δ	CV ≤ 00,000	0.50	0.40	0.35	0.25	0.25	0.25	0.20	0.20	0.20				0.25		
高温负荷 Load Life	85°C恒温施加额定电压(含纹波电流)2000 小时后, 必须满足下列的值。 After applying rated voltage with rated ripple current for 2000hrs at 85°C, the capacitors shall meet the following requirements																
	静电容量变化率 Capacitance Change	初期值±25%以内 Within ±25% of the initial value															
	散逸因素(tan δ) Dissipation Factor	规格值 150%以下 Not more than 150% of the specified value															
	泄漏电流 Leakage Current	规格值以下 Not more than the specified value															
高温放置 Shelf Life	85°C恒温不施加额定电压 1000 小时后, 在试验前必须参照 JIS C5102 4.4 规定进行充电 60 秒之后, 必须满足下列的值。 After applying no rated voltage for 1000hrs at 105°C, pre-treatment for measurements shall be conducted after application of DC rated voltage for 60second. The capacitors shall meet the following requirements. (Reference Standard JIS C5102 4.4)																
	静电容量变化率 Capacitance Change	初期值±20%以内 Within ±20% of the initial value															
	散逸因素(tan δ) Dissipation Factor	规格值 150%以下 Not more than 150% of the specified value															
	泄漏电流 Leakage Current	规格值 150%以下 Not more than 150% of the specified value															
突波电压(V) Surge Voltage	额定电压(V) Rated Voltage	10	16	25	35	50	63	80	100	160	180	200	250	315	350	400	450
	突波电压(V) Surge Voltage	13	20	32	44	63	79	100	125	200	225	250	300	365	400	450	500
低温特性 Low Temperature Stability (合成阻抗比) Impedance Ratio (MAX)	额定电压(V) Rated Voltage	10~100				160~250				315~450				120Hz			
	Z(-25°C) / Z(25°C)	4				6				8							
	Z(-40°C) / Z(25°C)	15				-				-							
Reference Standard	JIS C5141																

■ **尺寸图 DIMENSIONS**

(mm)



■ **纹波电流补偿系数 MULTIPLIER FOR RIPPLE CURRENT**

(1) 频率系数 Frequency coefficient

频率(Hz)	Frequency	60	120	1k	10k	100k
系数 Coefficient	10~35V	0.90	1.00	1.05	1.10	1.10
	50~100V	0.90	1.00	1.15	1.20	1.20
	160~250V	0.80	1.00	1.35	1.45	1.50
	315~450V	0.80	1.00	1.10	1.15	1.20

■ 尺寸一览表, 额定纹波电流一览表 STANDARD SIZE, RATED RIPPLE CURRENT

Size ϕ D \times L(mm), Ripple Current (A r.m.s./85 $^{\circ}$ C, 120 Hz)

额定电压 WV(V.DC) 额定 静电容量 Cap(μ F)	10 (1A)								16 (1C)							
	ϕ 22		ϕ 25		ϕ 30		ϕ 35		ϕ 22		ϕ 25		ϕ 30		ϕ 35	
	Size	Ripple	Size	Ripple	Size	Ripple	Size	Ripple	Size	Ripple	Size	Ripple	Size	Ripple	Size	Ripple
5600																
6800																
8200									22 \times 25	2.55						
10000									22 \times 25	2.79						
12000	22 \times 25	2.40							22 \times 30	2.90	25 \times 25	2.95				
15000	22 \times 30	2.80	25 \times 25	2.80					22 \times 35	3.29	25 \times 30	3.46	30 \times 25	3.66		
18000	22 \times 35	3.15	25 \times 25	3.05					22 \times 40	3.72	25 \times 35	3.98	30 \times 25	4.00		
22000	22 \times 40	3.60	25 \times 30	3.50	30 \times 25	3.52			22 \times 50	4.37	25 \times 40	4.26	30 \times 30	4.21	35 \times 25	4.15
27000	22 \times 45	4.04	25 \times 35	3.98	30 \times 30	3.73	35 \times 25	3.73			25 \times 45	4.72	30 \times 35	4.82	35 \times 30	4.65
33000	22 \times 50	4.58	25 \times 40	4.54	30 \times 30	4.13	35 \times 25	4.13			25 \times 50	5.33	30 \times 40	5.36	35 \times 30	5.15
39000			25 \times 45	5.08	30 \times 35	5.05	35 \times 30	4.80					30 \times 45	6.01	35 \times 35	5.95
47000			25 \times 50	5.73	30 \times 40	5.72	35 \times 30	5.27					30 \times 50	6.79	35 \times 40	6.76
56000					30 \times 45	6.44	35 \times 35	6.38							35 \times 45	7.62
68000					30 \times 50	7.27	35 \times 40	7.27							35 \times 50	8.63
82000							35 \times 50	8.49								

额定电压 WV(V.DC) 额定 静电容量 Cap(μ F)	25 (1E)								35 (1V)								
	ϕ 22		ϕ 25		ϕ 30		ϕ 35		ϕ 22		ϕ 25		ϕ 30		ϕ 35		
	Size	Ripple	Size	Ripple	Size	Ripple	Size	Ripple	Size	Ripple	Size	Ripple	Size	Ripple	Size	Ripple	
3900										22 \times 25	2.22						
4700										22 \times 30	2.45	25 \times 25	2.42				
5600	22 \times 25	2.30								22 \times 35	2.76	25 \times 25	2.64				
6800	22 \times 30	2.45	25 \times 25	2.56						22 \times 40	2.80	25 \times 30	2.75	30 \times 25	3.98		
8200	22 \times 35	2.75	25 \times 25	2.80						22 \times 45	3.47	25 \times 35	2.80	30 \times 30	3.16	35 \times 25	2.75
10000	22 \times 40	3.10	25 \times 30	3.15	30 \times 25	3.28				22 \times 50	3.57	25 \times 40	3.12	30 \times 30	3.54	35 \times 25	3.07
12000	22 \times 45	3.48	25 \times 35	3.43	30 \times 30	3.92	35 \times 25	3.54			25 \times 45	3.98	30 \times 35	4.01	35 \times 30	4.02	
15000	22 \times 50	4.00	25 \times 40	3.97	30 \times 30	4.00	35 \times 25	3.95			25 \times 50	4.54	30 \times 40	4.58	35 \times 35	4.80	
18000			25 \times 45	4.48	30 \times 35	4.46	35 \times 30	4.65					30 \times 45	4.82	35 \times 40	5.54	
22000			25 \times 50	5.02	30 \times 45	5.21	35 \times 35	5.18					30 \times 50	5.33	35 \times 45	6.05	
27000					30 \times 50	5.94	35 \times 40	5.95							35 \times 50	6.85	
33000							35 \times 45	6.75									
39000							35 \times 50	7.56									

■ 尺寸一览表, 额定纹波电流一览表 STANDARD SIZE, RATED RIPPLE CURRENT

Size ϕ D \times L(mm), Ripple Current (A r.m.s./85 $^{\circ}$ C, 120 Hz)

额定电压 WV(V.DC) 静电容量 Cap(μ F)	50 (1H)								63 (1J)								
	ϕ 22		ϕ 25		ϕ 30		ϕ 35		ϕ 22		ϕ 25		ϕ 30		ϕ 35		
	Size	Ripple	Size	Ripple	Size	Ripple	Size	Ripple	Size	Ripple	Size	Ripple	Size	Ripple	Size	Ripple	
1800										22 \times 25	1.85						
2200	22 \times 25	1.91								22 \times 30	2.31	25 \times 25	2.30				
2700	22 \times 30	2.20								22 \times 35	2.46	25 \times 30	2.49				
3300	22 \times 30	2.38	25 \times 25	2.38						22 \times 40	2.69	25 \times 30	2.64	30 \times 25	2.78		
3900	22 \times 35	2.70	25 \times 30	2.68	30 \times 25	2.55				22 \times 45	3.10	25 \times 35	2.97	30 \times 30	3.02	35 \times 25	3.00
4700	22 \times 40	3.00	25 \times 35	3.03	30 \times 25	2.89				22 \times 50	3.39	25 \times 40	3.36	30 \times 30	3.35	35 \times 25	3.36
5600	22 \times 45	3.36	25 \times 35	3.37	30 \times 30	3.38	35 \times 25	3.42				25 \times 45	3.77	30 \times 35	3.75	35 \times 30	3.75
6800	22 \times 50	3.88	25 \times 40	3.82	30 \times 35	3.85	35 \times 30	3.85				25 \times 50	4.27	30 \times 40	4.28	35 \times 35	4.15
8200			25 \times 50	4.37	30 \times 40	4.37	35 \times 30	4.41						30 \times 45	4.84	35 \times 35	4.79
10000					30 \times 45	4.97	35 \times 35	4.92						30 \times 50	5.49	35 \times 40	5.47
12000					30 \times 50	5.60	35 \times 40	5.60								35 \times 50	6.19
15000							35 \times 45	6.44									
18000							35 \times 50	6.71									

额定电压 WV(V.DC) 静电容量 Cap(μ F)	80 (1K)								100 (2A)								
	ϕ 22		ϕ 25		ϕ 30		ϕ 35		ϕ 22		ϕ 25		ϕ 30		ϕ 35		
	Size	Ripple	Size	Ripple	Size	Ripple	Size	Ripple	Size	Ripple	Size	Ripple	Size	Ripple	Size	Ripple	
820										22 \times 25	1.86						
1200	22 \times 25	1.70								22 \times 30	2.02	25 \times 25	2.10				
1500	22 \times 30	2.01								22 \times 35	2.41	25 \times 30	2.43	30 \times 25	2.46		
1800	22 \times 35	2.25	25 \times 25	2.26						22 \times 40	2.71	25 \times 35	2.75	30 \times 30	2.65		
2200	22 \times 35	2.44	25 \times 30	2.46	30 \times 25	2.49				22 \times 45	3.08	25 \times 40	3.13	30 \times 30	3.09	35 \times 25	3.14
2700	22 \times 40	2.78	25 \times 35	2.86	30 \times 30	2.91				22 \times 50	3.53	25 \times 45	3.57	30 \times 35	3.55	35 \times 30	3.71
3300	22 \times 45	3.16	25 \times 40	3.21	30 \times 30	3.17	35 \times 25	3.21				25 \times 50	4.06	30 \times 40	4.05	35 \times 35	4.05
3900	22 \times 50	3.52	25 \times 45	3.59	30 \times 35	3.57	35 \times 30	3.50						30 \times 45	4.54	35 \times 35	4.48
4700			25 \times 50	4.05	30 \times 40	4.05	35 \times 30	4.09						30 \times 50	5.13	35 \times 40	5.11
5600					30 \times 45	4.55	35 \times 35	4.51								35 \times 45	5.75
6800					30 \times 50	5.16	35 \times 40	5.14								35 \times 50	6.00
8200							35 \times 45	5.83									
10000							35 \times 50	6.63									

■ 尺寸一览表, 额定纹波电流一览表 STANDARD SIZE, RATED RIPPLE CURRENT

Size ϕ D×L(mm), Ripple Current (A r.m.s./85°C, 120 Hz)

额定电压 WV(V.DC) 静电容量 Cap(μF)	160 (2C)								180 (2K)							
	ϕ 22		ϕ 25		ϕ 30		ϕ 35		ϕ 22		ϕ 25		ϕ 30		ϕ 35	
	Size	Ripple	Size	Ripple	Size	Ripple	Size	Ripple	Size	Ripple	Size	Ripple	Size	Ripple	Size	Ripple
270										22×25	1.21					
330	22×25	1.35								22×30	1.45					
390	22×25	1.46								22×30	1.52	25×25	1.52			
470	22×30	1.68	25×25	1.72						22×35	1.75	25×30	1.75			
560	22×35	1.92	25×30	1.93						22×40	1.98	25×30	1.96	30×25	1.96	
680	22×40	2.18	25×30	2.12	30×25	2.17				22×45	2.22	25×35	2.20	30×25	2.23	
820	22×45	2.45	25×35	2.44	30×30	2.47	35×25	2.50	22×50	2.50	25×40	2.49	30×30	2.54	35×25	2.51
1000	22×50	2.80	25×40	2.73	30×30	2.76	35×30	2.80			25×45	2.78	30×35	2.86	35×30	2.96
1200			25×45	3.12	30×35	3.12	35×30	3.21			25×50	3.23	30×40	3.23	35×35	3.28
1500			25×50	3.70	30×45	3.71	35×35	3.68					30×50	3.83	35×40	3.80
1800					30×50	4.18	35×40	4.10							35×45	4.33
2200							35×45	4.70							35×50	4.95
2700							35×50	5.28								

额定电压 WV(V.DC) 静电容量 Cap(μF)	200 (2D)								250 (2E)								
	ϕ 22		ϕ 25		ϕ 30		ϕ 35		ϕ 22		ϕ 25		ϕ 30		ϕ 35		
	Size	Ripple	Size	Ripple	Size	Ripple	Size	Ripple	Size	Ripple	Size	Ripple	Size	Ripple	Size	Ripple	
180										22×25	1.04						
220										22×25	1.15						
270	22×25	1.27								22×30	1.31	25×25	1.32				
330	22×30	1.44	25×25	1.45						22×35	1.49	25×30	1.50	30×25	1.50		
390	22×30	1.62	25×30	1.62						22×40	1.67	25×30	1.73	30×25	1.65		
470	22×35	1.78	25×30	1.86	30×25	1.80				22×45	1.88	25×35	2.00	30×30	1.88	35×25	1.87
560	22×40	2.02	25×35	2.03	30×25	2.05				22×50	2.10	25×40	2.09	30×35	2.12	35×25	2.04
680	22×45	2.32	25×40	2.30	30×30	2.28	35×25	2.30			25×50	2.42	30×40	2.42	35×30	2.43	
820	22×50	2.65	25×45	2.58	30×30	2.60	35×30	2.60					30×45	2.75	35×35	2.76	
1000			25×50	2.95	30×35	2.98	35×30	2.95					30×50	3.30	35×40	3.30	
1200					30×40	3.40	35×35	3.40							35×45	3.51	
1500					30×50	3.89	35×40	3.85							35×50	4.02	
1800							35×45	4.37									
2200							35×50	5.00									

■ 尺寸一览表, 额定纹波电流一览表 STANDARD SIZE, RATED RIPPLE CURRENT

Size ϕ D \times L(mm), Ripple Current (A r.m.s./85 $^{\circ}$ C, 120 Hz)

额定电压 WV(V.DC) 额定 静电容量 Cap(μ F)	315 (2X)								350 (2V)							
	ϕ 22		ϕ 25		ϕ 30		ϕ 35		ϕ 22		ϕ 25		ϕ 30		ϕ 35	
	Size	Ripple	Size	Ripple	Size	Ripple	Size	Ripple	Size	Ripple	Size	Ripple	Size	Ripple	Size	Ripple
100									22 \times 25	0.84						
120	22 \times 25	0.90							22 \times 30	0.98	25 \times 25	0.98				
150	22 \times 30	1.06	25 \times 25	1.08					22 \times 35	1.12	25 \times 25	1.08				
180	22 \times 35	1.15	25 \times 25	1.31					22 \times 40	1.25	25 \times 30	1.22	30 \times 25	1.26		
220	22 \times 40	1.38	25 \times 30	1.40	30 \times 25	1.35			22 \times 45	1.42	25 \times 35	1.42	30 \times 30	1.42	35 \times 25	1.40
270	22 \times 45	1.55	25 \times 35	1.59	30 \times 30	1.56	35 \times 25	1.58	22 \times 50	1.60	25 \times 40	1.60	30 \times 35	1.62	35 \times 25	1.60
330	22 \times 50	1.80	25 \times 40	1.78	30 \times 30	1.78	35 \times 25	1.80			25 \times 50	1.86	30 \times 35	1.82	35 \times 30	1.85
390			25 \times 45	1.98	30 \times 35	1.96	35 \times 30	2.00					30 \times 40	2.05	35 \times 30	2.01
470			25 \times 45	2.20	30 \times 40	2.25	35 \times 30	2.22					30 \times 50	2.40	35 \times 35	2.32
560					30 \times 45	2.56	35 \times 35	2.49							35 \times 40	2.58
680					30 \times 50	2.87	35 \times 40	2.86							35 \times 45	2.95
820							35 \times 45	3.24							35 \times 50	3.03
1000							35 \times 50	3.40								

额定电压 WV(V.DC) 额定 静电容量 Cap(μ F)	400 (2G)								450 (2W)							
	ϕ 22		ϕ 25		ϕ 30		ϕ 35		ϕ 22		ϕ 25		ϕ 30		ϕ 35	
	Size	Ripple	Size	Ripple	Size	Ripple	Size	Ripple	Size	Ripple	Size	Ripple	Size	Ripple	Size	Ripple
56									22 \times 25	0.62						
68									22 \times 25	0.68						
82	22 \times 25	0.76							22 \times 30	0.80	25 \times 25	0.80				
100	22 \times 30	0.88	25 \times 25	0.88					22 \times 35	0.90	25 \times 25	0.88				
120	22 \times 35	1.00	25 \times 25	0.95					22 \times 40	1.00	25 \times 30	1.00	30 \times 25	1.00		
150	22 \times 40	1.14	25 \times 30	1.10	30 \times 25	1.14			22 \times 45	1.15	25 \times 35	1.14	30 \times 30	1.14	35 \times 25	1.14
180	22 \times 45	1.30	25 \times 35	1.28	30 \times 30	1.35	35 \times 25	1.30	22 \times 50	1.28	25 \times 40	1.28	30 \times 35	1.30	35 \times 25	1.28
220	22 \times 45	1.48	25 \times 40	1.45	30 \times 30	1.45	35 \times 25	1.45			25 \times 50	1.50	30 \times 40	1.50	35 \times 30	1.50
270	22 \times 50	1.64	25 \times 45	1.66	30 \times 35	1.65	35 \times 30	1.65					30 \times 45	1.76	35 \times 35	1.70
330			25 \times 50	1.85	30 \times 40	1.88	35 \times 30	1.85					30 \times 50	2.00	35 \times 40	1.98
390					30 \times 45	2.10	35 \times 35	2.05							35 \times 45	2.22
470					30 \times 50	2.38	35 \times 40	2.36							35 \times 50	2.50
560							35 \times 45	2.68								
680							35 \times 50	2.95								